



for a greener tomorrow



RH-CH COMPACT, LOW COST, INDUSTRIAL SCARA ROBOTS

HORIZONTAL TYPE

Product Overview



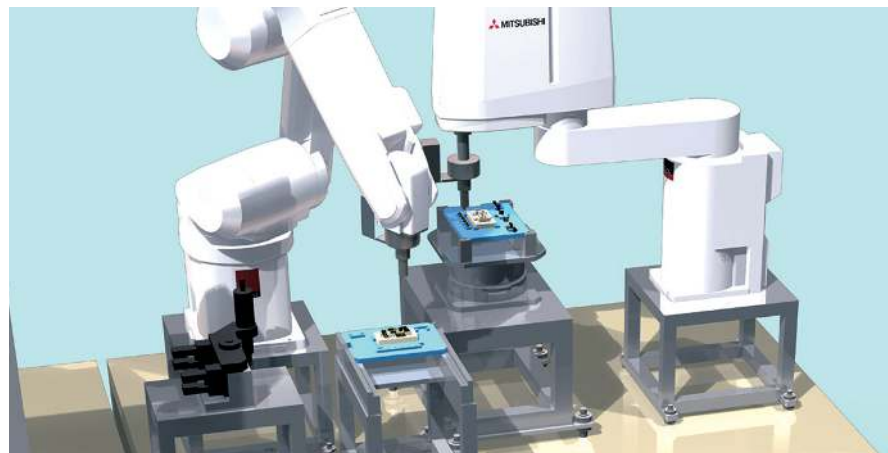
The RH-CH line of compact industrial SCARA robots are lightweight, full function robots ready to meet the needs of today's manufacturers at a price for even the most budget conscious of customers. With a range of payloads, reaches, and protection ratings to choose from, these robots are well suited for Pick & Place, Assembly, Material Handling and Packaging applications. Equipped with the same powerful CR751-D controller found on other F-Series robots, and sporting a number of valuable options as standard equipment, the RH-CH line of robots provide users with excellent value and performance.

BENEFITS

- **Compact, space saving arm** – Required space: 512 mm/560 mm (3CH/6CH robot arm) Reduces floor space requirements
- **Lightweight robot arm** – 14 kg/17 kg/18 kg (3CH40/6CH60/6CH70 robot arm) Easy to handle and install
- **High-speed movement and positioning** – Cycle time 0.44s/0.41s/0.43s (3CH40/6CH60/6CH70) Accommodates processing of more demanding applications
- **Standard equipment** – I/O points: 32 inputs/32 outputs, capable of controlling up to eight axes, thru-arm wiring and piping, 2 channel encoder interface
- **High performance controller** – Same high performance CR751 controller found on other F-Series model robots
- **Easy operation** – Teaching can be easily executed via teach pendant or with the RT-ToolBox3 PC programming software
- **Lower cost** – Reduces the barrier of entry for more budget minded users without sacrificing quality

Allied Automation, Inc.
800-214-0322
www.allied-automation.com

L-VH-03034



Industrial Robots RH-3CH40/6CH60/6CH70

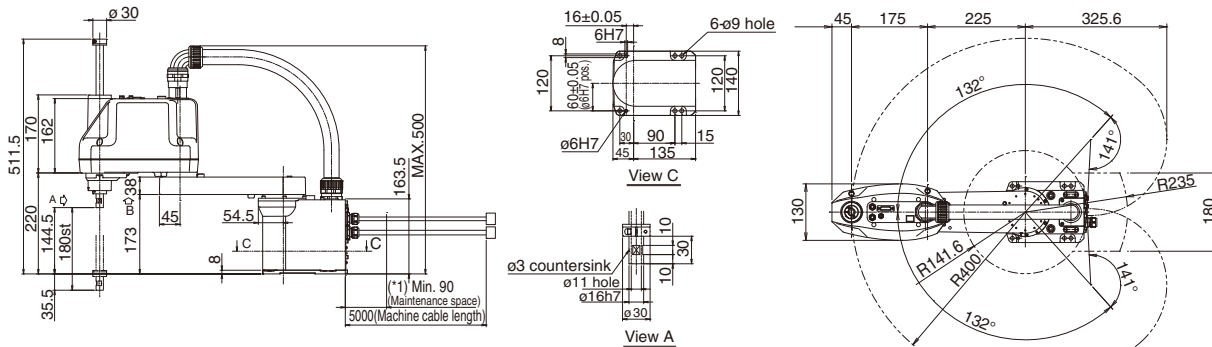


SPECIFICATIONS

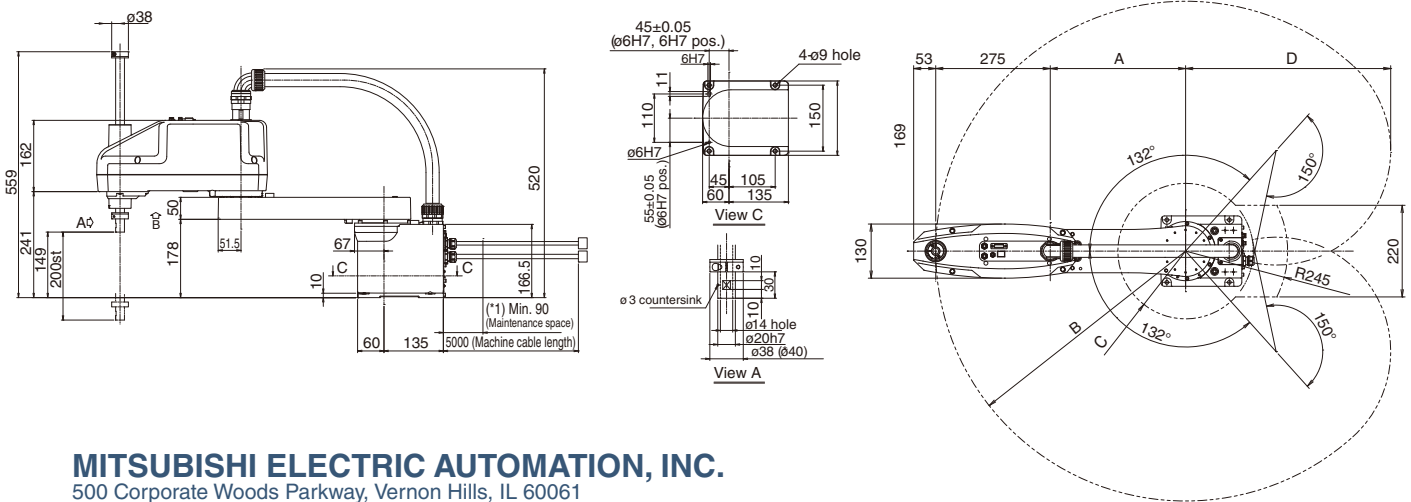
Model Number	RH3CH4018S15	RH3CH4018S24	RH3CH4018S52	RH6CH6020S15	RH6CH6020S24	RH6CH7020S15	RH6CH7020S24
Load (kg)	Maximum: 3 (rated: 1)	Maximum: 3 (rated: 1)	Maximum: 5 (rated: 1)	Maximum: 6 (rated: 2)	Maximum: 6 (rated: 2)	Maximum: 6 (rated: 2)	Maximum: 6 (rated: 2)
Arm Length (mm)	No. 1 Arm	225		325		425	
	No. 2 Arm	175		275			
Maximum Reach (mm)	400			600		700	
Operating Range (deg)	J1	264 (±132)					
	J2	282 (±141)			300 (±150)		
	J3	180	130	180	200	172	200
	J4	720 (±360)					
Repeatability	X-Y (mm)	±0.01			±0.02		
	J3 (Z) (mm)	±0.01					
	J4 (θ) (deg)	±0.01					
Maximum Speed	J1 (deg/sec)	720			420		360
	J2 (deg/sec)	720					
	J3 (Z) (mm/sec)	1100					
	J4 (θ) (deg/sec)	2600			2500		
	J1+J2 (mm/sec)	7200			7800		
Cycle Time (sec)	0.44			0.41		0.43	
Allowable Inertia (kgm ²)	Rated	0.005			0.01		
	Maximum	0.05 (0.075)			0.12 (0.18)		
Weight (kg)	14			17		18	
Internal Arm Wiring and Piping	15 points, D-SUB, ø6 × 2, ø4 × 1						
Controller	CR751-D						

DIMENSIONS

RH-3CH40



RH-6CH60/70



MITSUBISHI ELECTRIC AUTOMATION, INC.

500 Corporate Woods Parkway, Vernon Hills, IL 60061
Ph 847.478.2100 • Fx 847.478.2253

us.MitsubishiElectric.com/fa/en

December 2017 • ©2017, Mitsubishi Electric Automation, Inc. • Specifications subject to change without notice. • All rights reserved

Type	A	B	C	D
RH6CH60	325	R600	R162.6	492.5
RH6CH70	425	R700	R232	559.4

L-VH-03034

Allied Automation, Inc. 800-214-0322 www.allied-automation.com